



The UCP1A contact probe is a lightweight and versatile instrument that provides a means of carrying out underwater cathodic protection potential measurements.

It has been specially designed for use with manned or Remotely Operated Vehicles (ROVs) and comes complete with 3 metres of underwater cable. Each probe is supplied with a Certificate of Inspection and Conformity.

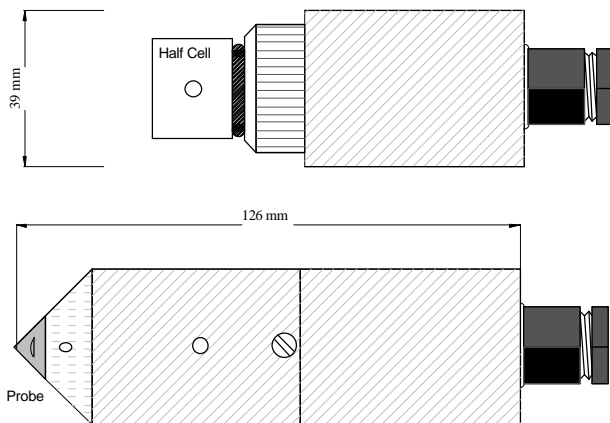
When the stainless steel probe tip of the UCP1A makes contact with the surface under test, the resulting voltage can be read on a suitable high impedance or digital voltmeter.

The UCP1A is extensively used in a wide range of applications including production and drilling platforms, ships' hulls, jetties and other marine works.

UCP1A product code: H4

FEATURES

- Hard-wearing DELRIN body
- Stainless steel probe tip
- Lightweight design / Easy to use
- Suitable for gripping in manipulator arm



TECHNICAL SPECIFICATION

Half Cell

Type: Silver/Silver Chloride screw-in
Accuracy: +/- 5mV when used in sea water
Temperature coeff: + 0.2mV per °C
Temperature range: 0 - 30 °C
Working life: 1 to 2 years if looked after

Unit

Designed for use with remote voltmeter
Minimum load impedance > 10M Ohms
Probe: Stainless Steel (316) replaceable (our ref: H14)
Weight: 0.5Kg
Size: 126mm x 39mm diameter
Underwater cable: 3m long x 9mm
Depth of operation: 700m +

Packed weight (complete): 0.8kg
Dimensions (packed): 26cm x 14cm x 30cm

Note: Due to ongoing technical developments, all stated information is typical and subject to change without notice or obligation

AFTER SALES SERVICE / TECHNICAL SUPPORT

All Buckleys products are manufactured under the controls established by a quality management system that meets the requirements of BS EN ISO 9001:2000 and are supplied with a one year "back-to-base" warranty. The equipment is proven to be robust and reliable and will give years of service if maintained in accordance with our instructions.

Advice on specific applications for all Buckleys products is available from our technical department. Contact us by telephoning +44 (0)1303 260127, sending a fax to +44 (0)1303 262115 or by e-mail to: tech@buckleys.co.uk.